

HETR

BY **Ventamatic, Ltd.**
AN AIR OF EXCELLENCE

H1028 Portable Workspace Forced Air Heater

INSTALLATION INSTRUCTIONS AND OPERATOR'S MANUAL



FOR YOUR SAFETY

DO NOT STORE OR USE
GASOLINE OR OTHER
FLAMMABLE VAPORS OR
LIQUIDS IN THE VICINITY
OF THIS OR ANY OTHER
APPLIANCE



Intertek

Made in China

WARNING! IF THE INFORMATION IN THIS MANUAL IS NOT FOLLOWED EXACTLY, A FIRE MAY RESULT CAUSING PROPERTY DAMAGE, PERSONAL INJURY OR LOSS OF LIFE.

**UL 2021. FIXED AND LOCATION -DEDICATED ELECTRIC ROOM HEATERS
ANSI/UL 1278 MOVABLE AND WALL OR CEILING HUNG ELECTRIC ROOM HEATERS**

**DO NOT DISCARD THIS MANUAL
CUSTOMER: PLEASE RETAIN THIS MANUAL FOR FUTURE USE**

INTENDED USE: This product is intended only for indoor household or office use.
It is NOT intended for industrial or commercial use. **DO NOT USE OUTDOORS**

IMPORTANT INSTRUCTIONS

PLEASE READ AND SAVE THESE IMPORTANT SAFETY INSTRUCTIONS

When using electrical appliances, basic precautions should always be followed to reduce the risk of fire, electrical shock, and injury to persons, including the following:

1. Read all instructions before using this heater.
2. This heater is hot when in use. To avoid burns, do not let bare skin touch hot surfaces. If provided, use handles when moving this heater. Keep combustible materials, such as furniture, pillows, bedding, papers, clothes and curtains at least 3 feet (0.9m) from the heater.
3. Extreme caution is necessary when any heater is used by or near children, pets or invalids and whenever the heater is left operating unattended.
4. If possible always unplug this appliance when not in use.
5. Do not operate any heater with a damaged cord or plug or after the heater malfunctions, has been dropped or damaged in any manner.
6. Any repairs to this appliance should be carried out by a qualified service person.
7. Under no circumstances should this appliance be modified. Parts having to be removed for servicing must be replaced prior to operating this appliance again.
8. Do not use outdoors.
9. Use your heater only in dry environments. This heater is not intended for use in bathrooms, laundry areas and similar indoor locations. Never locate the heater where it may fall into a bathtub or other water container. Do not use your heater outdoors. Do not use near sinks, swimming pools or other damp areas such as flooded basements, garages, etc or anyplace where the heater could come in contact with water.
10. Do not run cord under carpeting. Do not cover cord with throw rugs, runners, or similar coverings. Arrange cord away from traffic area and where it will not be tripped over.
11. To disconnect heater, first turn controls to off, then remove plug from outlet. Always unplug the heater when not in use.
12. Connect to a properly grounded outlet only.
13. Do not insert or allow foreign objects to enter any ventilation or exhaust opening as this may cause an electrical shock or fire, or damage the heater.
14. To prevent a possible fire, do not block air intakes or exhaust in any manner. Do not use on soft surfaces, like a bed, where openings may become blocked.
15. This appliance has hot and arcing or sparking parts inside. Do not use it in areas where gasoline, paint or flammable liquids are used or stored.
16. Use this heater only as described in this manual. Any other use not recommended by the manufacturer may cause fire, electric shock, or injury to persons.
17. Avoid the use of an extension cord because the extension cord may overheat and cause a risk of fire. However, if you have to use an extension cord, the cord shall be No. 14 AWG minimum size and rated not less than 4700 watts.
18. This heater may include an audible (or visual) alarm to warn that parts of the heater are getting excessively hot. If the alarm sounds (flashes), immediately turn the heater off and inspect for any objects on or adjacent to the heater that may cause high temperatures. **DO NOT OPERATE THE HEATER WITH THE ALARM SOUNDING (FLASHING).**
19. SAVE THESE INSTRUCTIONS

IMPORTANT INSTRUCTIONS

ALWAYS OBSERVE THESE SAFETY PRECAUTIONS WHEN OPERATING YOUR ELECTRIC HEATER

- ALWAYS Read all instructions before operating.
- ALWAYS Locate your electric heater away from furniture or loose hanging drapes.
- ALWAYS Keep the rear grill away from walls or drapes so as not to block the air intake. (If applicable)
- ALWAYS Unplug electric heater when not in use.
- ALWAYS Use electric heater on a flat dry surface.
- ALWAYS Use on 208-240 volt 60Hz AC power supply.
- ALWAYS Route the cord so it will not be walked on tripped over or pinched by furniture.
- ALWAYS Keep electrical cords, drapes and other furnishings away from your electric heater.
- ALWAYS Keep your electric heater clean and the filter free of dust. (If applicable)
- ALWAYS Use indoors only.

- NEVER Place drapes, clothing or towels over electric heater to dry.
- NEVER Use in the presence of explosive or flammable vapors such as gas or paint.
- NEVER Plug another electrical appliance into the same circuit. Blown fuses, tripped circuits and fire hazards may result.
- NEVER Use water or liquids to clean your electric heater.
- NEVER Let bare skin touch hot surfaces as this may cause burns.
- NEVER Leave electric heater unattended.
- NEVER Leave electric heater when children or pets are present.
- NEVER Locate electric heater where it may fall into a bath tub or other water containers.
- NEVER Operate electric heater with a damaged cord, plug or after the heater malfunctions, or has been dropped or damaged in any manner.
- NEVER Run cord under carpeting or cover with throw rugs or runners.
- NEVER Insert or allow foreign objects to enter any ventilation or exhaust openings, as this may cause an electrical shock, fire or damage.

SAVE THESE INSTRUCTIONS



WARNING: Prior to operating, make sure the electrical outlet is of the configuration and capacity appropriate for the heater.



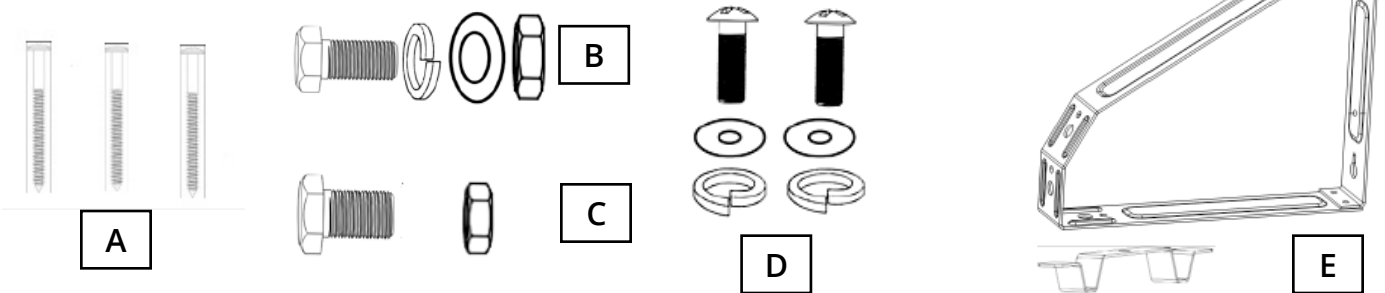
DANGER - ELECTRIC SHOCK OR FIRE HAZARD: READ ALL WIRE SIZING, VOLTAGE REQUIREMENTS, AND SAFETY DATA TO AVOID PROPERTY DAMAGE AND PERSONAL INJURY.



MINIMUM CLEARANCE FROM COMBUSTIBLES

FRONT	3 Feet
TOP	1 Foot
SIDES	1 Foot
REAR	1 Foot

WHAT'S IN THE BOX



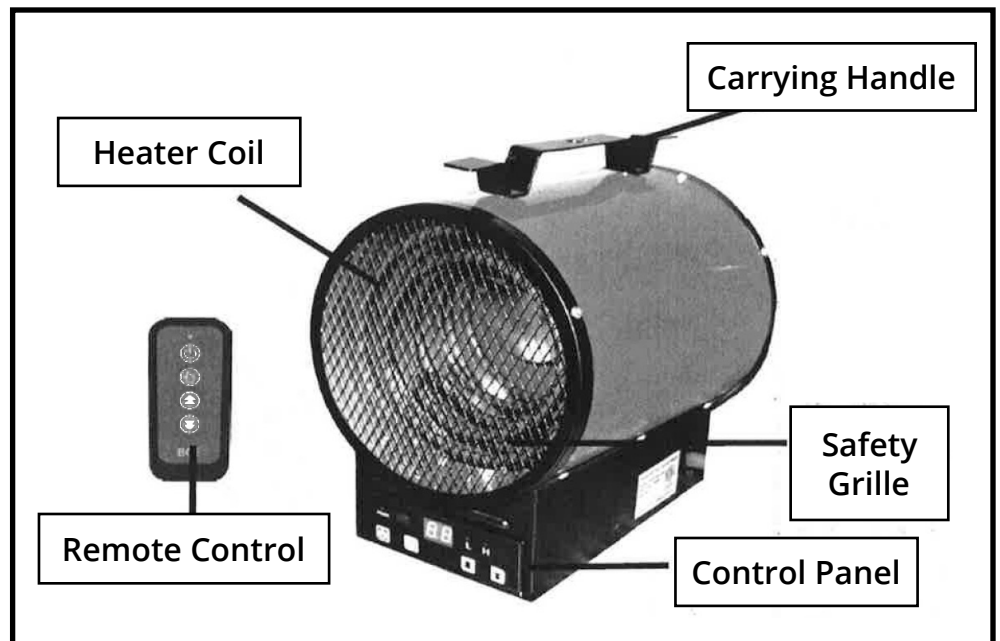
A. 65mm Screws x 3

B. 20mm Screw x 1
Lock Washer x 1
10mm Washer x 1
10mm Nut x 1

C. M10mm Screw x 1
5mm Nut x 1

D. 16mm Screws x 2
5mm Washers x 2
Lock Washers x 2

E. Wall/Ceiling Bracket x 1
Handle x 1



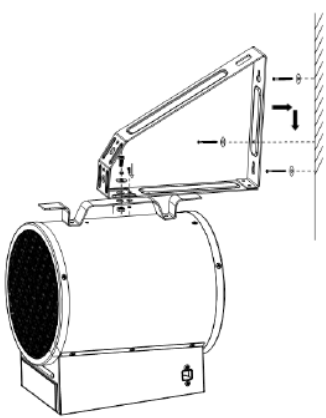
SAVE THESE INSTRUCTIONS



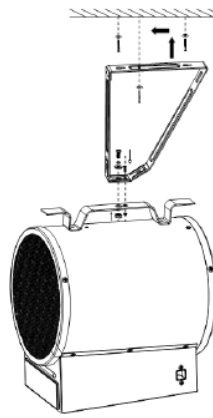
WARNING: USE THIS HEATER ONLY AS DESCRIBED IN THIS MANUAL. ANY OTHER USE NOT RECOMMENDED BY THE MANUFACTURER IS STRICTLY PROHIBITED AND MAY CAUSE FIRE, ELECTRIC SHOCK, OR INJURY TO PERSONS.



ASSEMBLY/INSTALLATION INSTRUCTIONS



WALL MOUNT APPLICATION



CEILING MOUNT APPLICATION

Remove heater and all packing material from the box. Be sure to remove the hardware package from the styrofoam packaging.

Tools needed:

- Power drill
- 4mm or 5/32in drill bit
- Phillips head screwdriver

Attaching Heater to Wall/Ceiling:

1. Line up both holes on bracket with both holes on the heater handle. Attach heater to bracket with 20mm screw and nut, 10mm washer and locking washer.
2. Locate wood stud in wall or joist in ceiling to mount heater.
3. Use holes in bracket to mark 2 holes for drilling.
4. Pre-drill 2 holes for screws.
5. Secure two 65mm screws to wall/ceiling joist, leaving 1/8" exposed. Two screws must be attached securely to a wood stud of minimum 1.5"
6. Attach bracket to exposed screw head by sliding through keyholes on bracket and pushing down to lock the bracket into place.
7. Tighten screws against bracket to secure.



WARNING: HEATER MUST BE ATTACHED TO A JOIST WITH A MINIMUM OF (2) SCREWS IN OPPOSING HOLES.



SAVE THESE INSTRUCTIONS



WARNING: USE APPROPRIATE FASTENERS. THE SCREWS INCLUDED ARE FOR INSTALLING IN WOOD STUDS ONLY AND ARE NOT INTENDED FOR METAL JOISTS.



WARNING: BE CERTAIN ADJUSTMENT SCREWS ARE TIGHTENED FIRMLY TO SECURE HEATER TO BRACKET.



IMPORTANT: Read all instructions and warnings carefully before installation and use. Failure to follow these instructions may result in a possible electric shock, injury to persons, fire hazard and will void the warranty.



OPERATING INSTRUCTIONS

Note: When using the heater for the first time, you may notice a slight emission of smoke. This is normal and will stop after a short time. The heating element is made of steel and was coated with a layer of protective oil during production.

Usage on outlets above 220 volts may cause a slight whistling sound due to the higher fan speed. This results from the voltage supply. This is normal and is not affecting the operation of the heater. This is not a defect.

1. Attach heater to wall or ceiling as noted in instructions on page 5.
2. Connect the fan heater to the proper electrical power. See grounding instructions. Power indicator light will illuminate.
3. Press red power button. Display panel will flash five (5) times then display the room temperature.
4. To increase or decrease the set temperature, press the green mode button on the control panel or remote control two (2) times, then select the Up/Down arrows to increase or decrease the set temperature.
5. To set the timer functions, press the green mode button on the control panel or remote control three (3) times.
6. The digital display turns set temperature readout to time value for the time OH. Press the timer.
7. Use the Up/Down arrows. The value will vary from 0 to 9 hour duration (in 1 hour intervals).



ELECTRICAL OUTLET WIRING MUST COMPLY WITH LOCAL BUILDING CODES AND OTHER APPLICABLE REGULATIONS TO REDUCE THE RISK OF FIRE, ELECTRICAL SHOCK AND INJURY TO PERSONS.



SAVE THESE INSTRUCTIONS



DO NOT USE THIS APPLIANCE IF ANY PART OF IT HAS BEEN UNDERWATER. IMMEDIATELY CALL A QUALIFIED SERVICE TECHNICIAN TO INSPECT THE APPLIANCE AND REPLACE ANY PART OF THE ELECTRICAL SYSTEM WHICH HAS BEEN UNDERWATER.



Grounding Instructions:

1. This heater is for use on 240 (208) volt circuits. The cord employs a NEMA 6-30P plug (as shown) and requires a NEMA 6-30R receptacle. No adapter is available for this blade configuration, and none should be used.
2. The outlet type is a 240 (208) volt outlet with ground. When properly installed it provides a ground connection through the cord to the heater to prevent the operator from electric shock.
3. Be sure that the electrical receptacle is of the configuration and capacity appropriate for the heater.



Automatic Overheat Safety Control

This heater is equipped with an internal heat limiting thermostat and overheat protection circuit. When a potential overheat temperature is reached, the system will automatically shut the heater off.

IF SAFETY LIMIT LIGHT ILLUMINATES, an abnormal condition has turned off the heating elements. **TO RESET, WAIT 10 MINUTES** to allow the heater to cool down. The heater will automatically reset once the heating element cools down.

Cleaning and Maintenance

Any electrical repairs or rewiring of this unit should be carried out by a licensed electrician and in accordance with national and local codes.

Before cleaning the appliance, disconnect it from the power outlet and let it cool down. In order to protect the enclosure, don't splash water onto the heater, and never use a solvent like gasoline, isoamyl acetate, toluene, etc. to clean the heater.

DO NOT open the heater or attempt to clean the inside of this appliance.



**CAUTION:
RISK OF ELECTRIC SHOCK
DO NOT OPEN - NO SERVICEABLE PARTS INSIDE**



SPECIFICATIONS

Model: H1028 (All specifications +5% / -10% tolerance)

BTU's per/Hour	16400
Voltage	240V
Plug Type	NEMA 6-30P
Watts	4800
Amps	30
Heating Area (ft ²)	540

TROUBLE SHOOTING

PROBLEM	CAUSE	SOLUTION
Heating element does not glow	Stainless steel elements won't glow red to produce heat	Heater is operating correctly
Do not feel heat or air flow	No power to heater	Check power connection to heater
	Desired room temperature reached	Thermostat will shut off heater once desired room temperature is reached
	Auto-Reset has tripped	Unplug heater allow to cool down for 10 minutes then restart
	Heater has fan only setting	Set to run on full power for heating
Fan running with no heat	Heater in cool down cycle	This is normal to disperse heat throughout the area. Turn thermostat up if additional heat is desired.